

# MSE1 Surround Expander



## Upgrade Your McIntosh Theater to 6.1 from 5.1

Digital surround sound is evolving, and the result is an enhanced version that allows for an additional Back Surround (BS) channel that acts to fill in and deepen the surround field. The mono BS channel is positioned to the rear and centered between the existing LS and RS in the surround field. The MSE1 Surround Expander provides automatic expansion of BS-encoded soundtracks, and in manual mode can also create a BS channel from standard 5.1 soundtracks. The MSE1 processes the Surround analog outputs of the McIntosh MX132 A/V Control Center, which also monitors the digital bitstream to detect the presence of a BS channel. The MSE1 does not operate alone – it connects to a 5.1 decoder such as the McIntosh MX132.

One feature of the MSE1 that may distinguish it from other expanders is that, in AUTO mode, the MSE1 acts only while the encoding is present in the bitstream. This means standard (non-BS-encoded) 5.1 bitstreams will be processed as intended, without the creation of an artificial Back Surround channel. A powered subwoofer can be connected to the SUB output of the MSE1; this output is active regardless of the mode.

The MSE1 offers a compelling upgrade path for current MX132, MSD4, and MAC3 owners and is compatible with non-McIntosh 5.1 decoders.

The back side of this sheet shows how the MSE1 converts an existing McIntosh 5.1 home theater system based around the MX132 into a 6.1 system using the MC206, MC7205, or MC126 multichannel amplifiers.

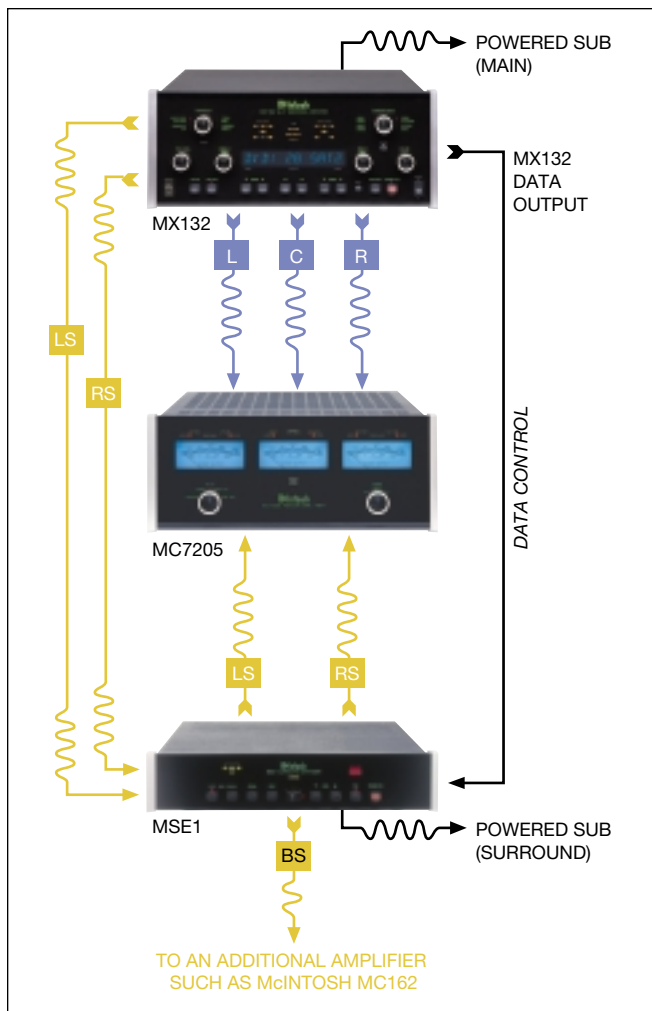
### FEATURES

- Processes Surround analog outputs from MX132, MSD4, MAC3 or any non-McIntosh 5.1 processor
- 24-bit DSP processing
- 20-bit A/D and D/A conversion
- Automatic expansion of BS-encoded 5.1 soundtracks
- Manual expansion of standard 5.1 soundtracks
- LS, BS, RS, and SUB outputs
- Automatic Input Level Control (AIRC)
- Internal signal source for system calibration
- Super Tracking trim for all 4 channels
- Adjustable time delay
- Trim and time delay readout
- LED channel format indicators
- Permanent memory of all system settings
- Remote power control in/out
- Auto Muting during power-up and mode changes
- Double-shielded power transformer
- Electronically regulated power supply
- Gold-plated input and output jacks
- Modular construction with steel chassis
- Glass front panel with illuminated nomenclature

# MSE1 Surround Expander

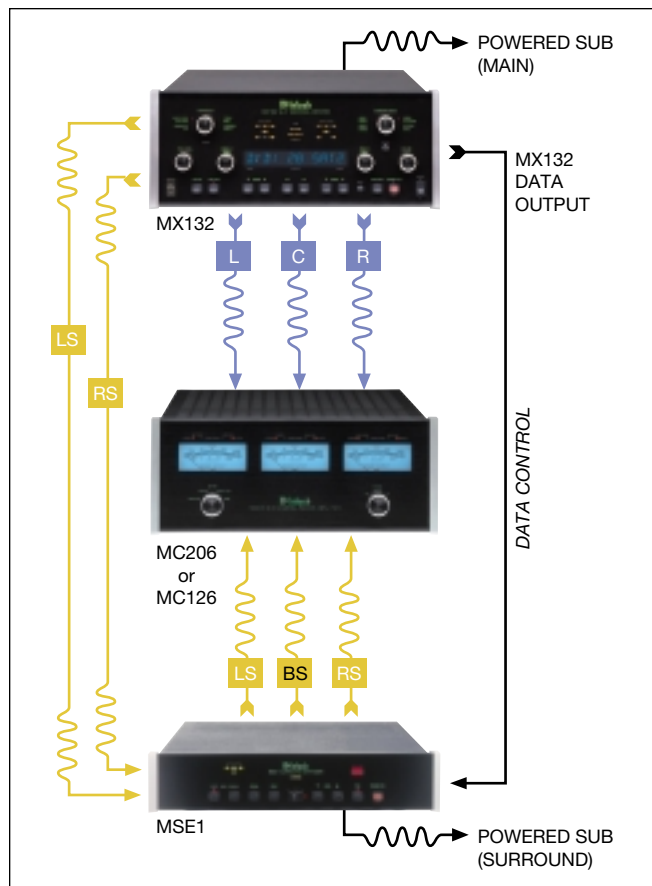
## Using the MSE1 with the MX132 and MC7205

In this setup, the MC7205 powers the L/C/R/LS/RS channels. The MSE1 processes and outputs the LS and RS signals. When the BS channel is active, it is powered by an additional amplifier, such as the McIntosh MC162. (Note: It's OK to use both channels of a stereo amp and therefore have two BS speakers.) A powered sub can be connected to the SUB output of the MSE1. This output, which is an option provided by McIntosh, is active regardless of the mode.



## Using the MSE1 with the MX132 and MC206 or MC126

In this setup, the MC206 or MC126 powers the ALL channels. The MSE1 processes and outputs the LS and RS signals. When the BS channel is active, it is powered by the remaining sixth channel of the MC206 or MC126. A powered sub can be connected to the SUB output of the MSE1. This output, which is an option provided by McIntosh, is active regardless of the mode.



### Operating Notes

#### BS-ENCODED 5.1

##### MSE1 AUTO or MANUAL Mode

- decodes and outputs LS/BS/RS channels

#### STANDARD 5.1

##### MSE1 AUTO Mode

- no BS channel
- LS/RS pass through unchanged

#### STANDARD 5.1

##### MSE1 MANUAL Mode

- creates artificial BS channel from LS + RS

### Related Products

MSD4 processor



MX132 processor



MC7205 5-ch amp



MC126 6-ch amp



MC206 6-ch amp



MVP841 DVD player

